

ELECTRICAL SPECIFICATIONS @ 25°C unless otherwise noted:

Insertion Loss: 1-100MHZ -1.0dB MAX

Return Loss: 1-30MHZ -16.0dB MIN
 30-60MHZ -14.0dB MIN
 60-80MHZ -10.0dB MIN

Cross Talk: 1-30MHZ -40.0dB MIN
 30-60MHZ -35.0dB MIN
 60-80MHZ -30.0dB MIN

CMR: 1M-100MHZ -35dB MIN

Hi-Pot: 1500v AC 6S 1mA

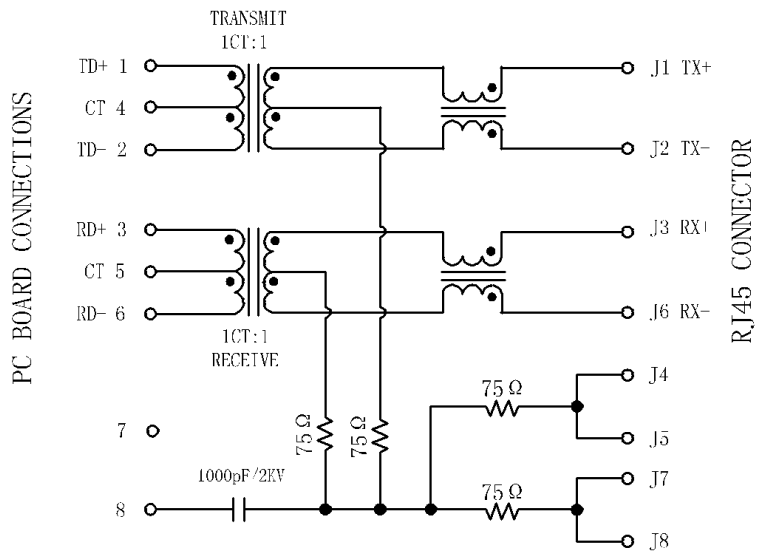
Turn Ratio: 1CT:1CT+/-3%

OCL:350uH MIN @ 100KHZ 100mV 8mA DC

Contacts: 0.35mm thick phos bronze plated with 6u' gold in contact are

Housing Material:PBT Black

Operating temperature range:-40°C-+85°C



<h1>XYFW</h1>	UNIT:mm .x+/-0.3, .xx+/-0.20, .xxx+/-0.13	Approved By: JP.Gong	
	<h2>100BASE</h2>	Part No:RJ-114B002FE3A1D3	REV A
Drafted by:XuTiWen	1X4 TAB-DOWN RJ45	www.cnxyfw.com	SHEET 1 OF 1