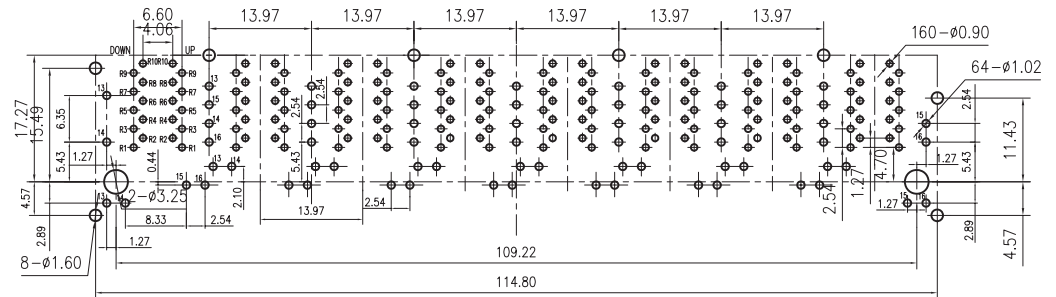
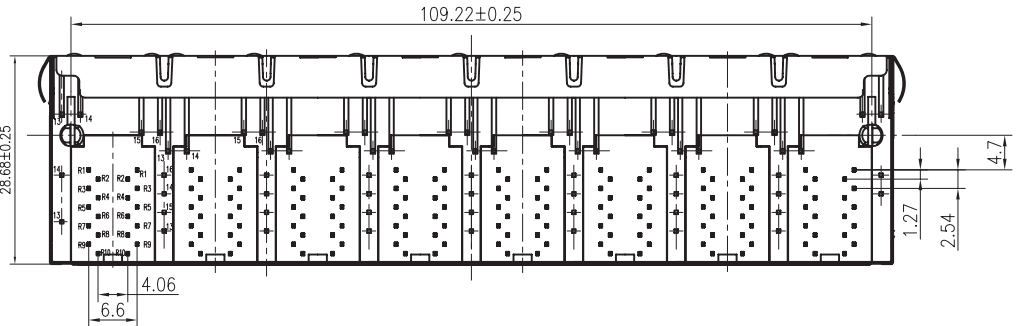
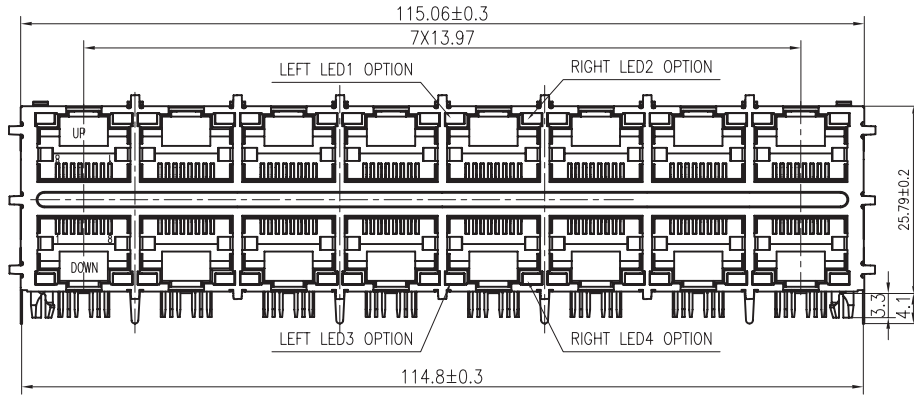


1

2



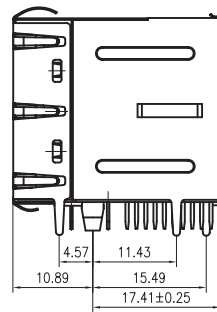
LED Specification

| Standard LED Color | LED Wavelength | Forward (V MAX) | Typical (V TYP) | Luminous Intensity |
|--------------------|----------------|-----------------|-----------------|--------------------|
| Green | 560-580 nm | 2.5V | 2.1-2.2V | 9-25 MCD |
| Yellow | 580-610 nm | 2.5V | 2.1-2.2V | 9-30 MCD |
| Orange | 580-610 nm | 2.5V | 2.1-2.2V | 50-100 MCD |

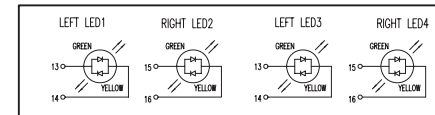
- LED intensity/wavelength measured with Photo Research PR-650 Colormeter
- With a forward current of 20 mA, Absolute Maximum Ratings (Ta=25°C)

1: TOLERANCES UNLESS OTHERWISE SPECIFIED :
 0~10±0.15, 10~20±0.2, 20~40±0.25,
 40~70±0.3, ≥70±0.4

2: JACK CAVITY CONFORMS TO FCC RULES AND REGULATIONS, PART 68 SUBPART F.



PCB BOARD LAYOUT



XYFW(www.cnxyfw.com)

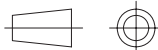
Designed

MATERIAL

DESCRIPTION

2X8 GY-GY 中间LED EMI

FIRST ANGLE PROJECTION



TEL:
FAX:
Website

Checked

SCALE

1:1

UNIT

mm

MODEL NO.

RJ-28Q077DG1A4D

REV.

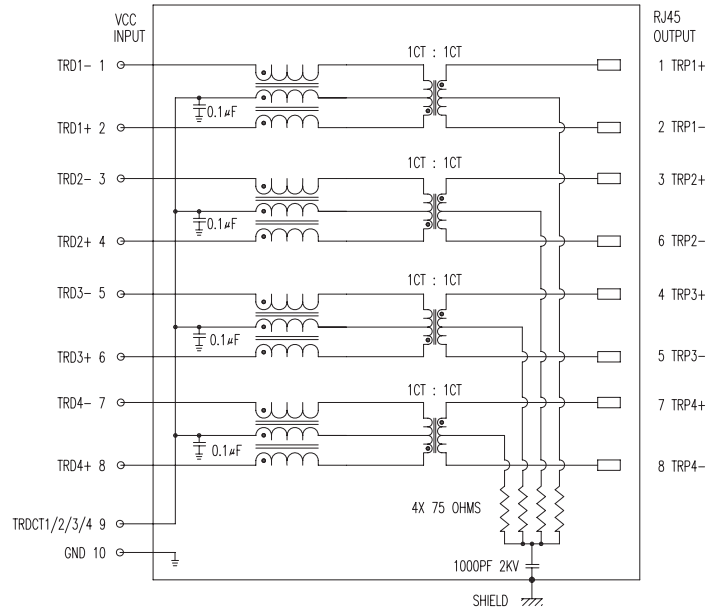
V1.0

1

PCB BOARD LAYOUT

2

SCHMATIC



DESCRIPTION

RJ45 With internal Magnetics Connector

Designe to support such applications as:Ethernet Equipment Complex,Switches,Routers,Firewalls,Servers and Hub
Internal magnetics are 100% electrically tested for functionality per IEEE802.3af/at requirement

ELECTRICAL: RoHS peak wave solder temperature rating 235℃
High performance for maximum EMI suppression
350uH minmum OCL with 8mA bias current

JACK CAVITY CONFORMS TO FCC RULES AND REGULATIONS,PART 68 SUBPART F.

INSERTION FORCE: 2 CONTACTS----350g 4 CONTACTS----500g
6 CONTACTS----750g 8 CONTACTS----900g

MECHANICAL: 10 CONTACTS----1050g

RETENTION STRENGTH: 7.7Kgs BETWEEN JACK AND PLUG
DURABILITY: 750 MATING CYCLES Mini

HOUSING: 1) GLASS FILLED PA66 (UL 94V-0)
2) GLASS FILLED PA46/LCP (UL 94V-0)
3) GLASS FILLED PBT (UL 94V-0)

MATERIAL:

SPRING WIRE: 1) 0.2-0.45mm DIA PHOSPHOR BRONZE GOLD PLATING OVER NICKEL
2) 0.2-0.35mm THICKNESS PHOSPHOR BRONZE ALLOY SELECTIVE GOLD PLATING OVER NICKEL

SHIELDING: 0.12-0.24mm THICKNESS COPPER ALLOY WITH TIN PLATED

GOLD PLATING: 3µ", 6µ", 15µ", 30µ", 50µ"

WORKING TEMPERATURE: -20℃~70℃

TOLERANCES UNLESS OTHERWISE SPECIFIED : 0~10±0.15, 10~20±0.2, 20~40±0.25, 40~70±0.3, >70±0.4

ELECTRICAL SPECIFICATIONS AT 25 °C

| Insertion Loss dB max | Return Loss dB min | | Crosstalk(db TYP) | Common Mode Rejection (dB TYP) | Hipot(vrms) |
|-----------------------|--------------------|--------------------|-------------------|--------------------------------|----------------------------|
| | 1-125MHz | 30- 80MHz | | | |
| 1-125MHz | 1-30MHz | 30- 80MHz | 1- 100MHz | 1-100MHz | |
| -1.2 | -18 | -18+20log(f/30MHz) | -30 | -30 | 1500/0.5mA OR 2250DC/0.1mA |

XYFW(www.cnxyfw.com)

Designed

MATERIAL

DESCRIPTION

2X8 GY-GY 中间LED EMI

Checked

SCALE

1.8:1

UNIT

mm

MODEL NO.

RJ-28Q077DG1A4D

REV.

FIRST ANGLE PROJECTION



TEL:

FAX:

Website

Approved