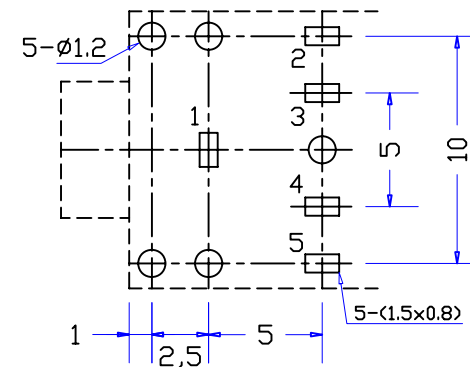
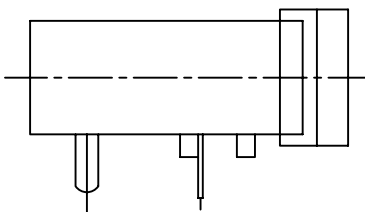
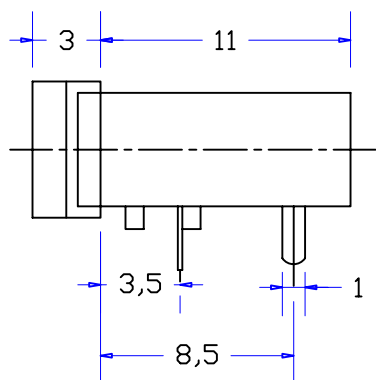


SCHEMATIC



P. C. B TERMINAL POSITION

LW-001045

				Specifications		PJ-3507	
No				Rating:	DC 12V 1A	TITLE: PHONE JACK	
1				Contact Resistance:	30m ohm max	UNLESS OTHERWISE SPECIFIED TOLERANCE ±0.1 ANGLE TOL ±30°	
2				Insulation Resistance:	100M ohm at 500V DC		
3				Dielectric Strength:	AC 500V for 1 Minute	UNIT: mm	SCALE: NA
4				Insertion & Extraction Force:	0.2-2.0kgf	DRAWN: xing	
5				Life:	5.000 Cycles	DATE: 2004-08-14	
6				Taping:	1.000 Pcs	CHECKED:	
XYFW( <a href="http://www.cnxyfw.com">www.cnxyfw.com</a> )						DATE:	
						APPROVED:	
						DATE:	