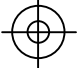
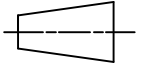


CIRCUIT DIAGRAM

**P. C. B TERMINAL POSITION**

**Specifications**

Rating: DC 50V 0.1A  
 Contact Resistance: 30m ohm max  
 Insulation Resistance: 100M ohm at 500V DC  
 Dielectnic Strength: AC 500V for 1 Minute  
 Insertion & Extraction Force: 0.3-2.0kgf  
 Life: 5.000 Cycles  
 Taping: 1.000 Pcs

<b>DC-001A</b>	UNLESS OTHERWISE SPECIFIED TOLERANCE ±0.1 ANGLE TOL ±30"	UNIT: mm	SCALE: NA
TITLE: DC JACK		DRAWN: XING	
Shenzhen City Xiangyunfeiwu Technology Co., Ltd.	 	DATE: 2004-05-22	
		CHECKED:	
		DATE:	
APPROVED:		DATE:	