

FIBER OPTIC DATA LINK DATA SHEET

MODEL NO. : DLT1150A

DATE : 2010-5-8

VERSION : A.0

DEVICE NO. : GM-FS-RD-016

CUSTOMER	DESIGNER	CHECKER	APPROVER

深圳市祥云飞武科技有限公司

Shenzhen City XiangYunFeiWu Technology CO.,LTD

Features

- High speed signal transmission (16Mbps, NRZ signal)
- Input TTL compatible
- +3~+5V power source

Descriptions

The light transmitting unit is a standard-package product with connector and opto-electric component packaged with LED and drive IC. The function of unit changes the electric signal into light signal and be transmitted by plastic fiber.

The unit is operated at single+3V~ +5V and the input signal is TTL compatible. The DLT1150A has a maximum operating speed of 16 Mbps. The light signal is coupled into plastic fiber by connector. The unit has high performance at low dissipation current, steady light output and efficient light coupling.

Applications

- Audio equipment
- DVD player
- PC, Notebook
- Sound card

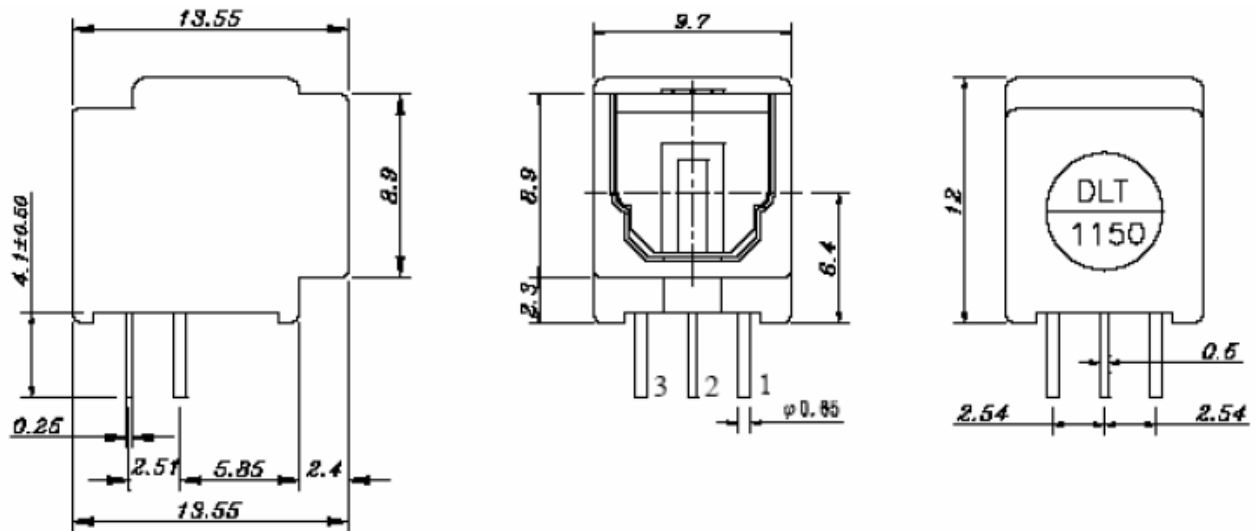
Device Selection Guide

Chip		Operating Voltage (Vcc)	Dissipation Current(mA)	Fiber Coupling Light Output (dBm)		
IC Material	LED λ p(nm)			Typ.	Min.	Typ.
Si	650	2.7~5.5	5.5	-21	-	-15

深圳市祥云飞武科技有限公司

Shenzhen City XiangYunFeiWu Technology CO.,LTD

Package Dimensions



- Notes:** 1.All dimensions are in millimeters.
2.General Tolerance: $\pm 0.2\text{mm}$

Pin Function

1. GND
2. Vcc
3. Vin

Absolute Maximum Ratings(Ta = 25°C)

Parameter	Symbol	Rating	Unit
Supply Voltage	Vcc	-0.5 to 7	V
DC Input Voltage	Vin	-0.5 to Vcc+0.5	V
Power Dissipation	P	120	mW
Storage Temperature	Tstg	-30 to 80	°C
Operating Temperature	Topr	-20 to 70	°C
Soldering Temperature	Tsol	260*	°C

* Soldering time $\leq 5\text{s}/2\text{times}$.

深圳市祥云飞武科技有限公司
Shenzhen City XiangYunFeiWu Technology CO.,LTD

Electro-Optical Characteristics

Parameter	Symbol	Conditions	MIN.	TYP.	MAX.	Unit
Operating Voltage	Vcc	-	2.7	-	5.5	V
Peak Emission Wavelength	λ_p	-	640	-	670	nm
Transmission Speed		NRZ signal	DC	-	16	Mbps
Transmission Distance		Using APF	0.2	-	20	m
Pulse Width Distortion	Δtw	16Mbps NRZ Signal	-25	-	25	ns
Fiber Coupling Light Output	Pf	*1	-21	-17	-15	dBm
Dissipation Current	Icc	*2	-	5	10	mA
High Level Input Voltage	VIH		2	-	-	v
Low Level Input Voltage	VIL		-	-	0.8	v
Rise Time	t_r	*3	-	30	40	ns
Fall Time	t_f	*3	-	20	30	ns
Low \rightarrow High propagation delay time	t_{PLH}	*3	-	-	100	ns
High \rightarrow Low propagation delay time	t_{PHL}	*3	-	-	100	ns
Jitter	Δt_j	*3	-	1.5	15	ns

The DLT1150A light transmitting unit satisfies EIAJ CP-1201 digital audio interface standard.

深圳市祥云飞武科技有限公司
Shenzhen City XiangYunFeiWu Technology CO.,LTD

Reliability Test Items

No.	Item	Test Condition	Test Hour/Cycle	Samples	Number (n) Failure (c)
1	Soldering Heat	260°C±5°C	5 sec./2times	22	n=22, c=0
2	High temp. & Hum. storage	Ta=40°C, 90%RH	500	22	n=22, c=0
3	High temp.storage	Ta=80°C	500	22	n=22, c=0
4	Low Tempstorage	Ta=-30°C	500	22	n=22, c=0
5	Temp. cycling	-30°C ~ 80°C (30min) (5min) (30min)	20	22	n=22, c=0
6	High Temp. Operation life	Ta=60°C, Vcc=5V ON	500	22	n=22, c=0
7	Repeated operation	500 times	Coupling force < 2 kg 0.4kg<Detaching force <2kg	22	n=22, c=0
8	Terminal Strength(tension)	Weight: 500 g 30 sec./each terminal		22	n=22, c=0
9	Terminal Strength(bending)	Weight: 500 g 2 times/each terminal		22	n=22, c=0
10	Mechanical Shock	Acceleration: 1000m/s2 Pulse width: 6 ms 3 times/ X,Y,Z direction		22	n=22, c=0
11	Vibration	Frequency range: 10~55 Hz /sweep 1 min Overallamplitude:1.5 mm 2H./X,Y,Z direction		22	n=22, c=0

Icc (dissipation current): CURRENT ATTENUATE DIFFERENCE < 20%

Pf (fiber coupling light output): BRIGHTNESS ATTENUATE DIFFERENCE < 20%

TPLH (propagation L → H delay time): DELAY TIME DIFFERENCE < 20%

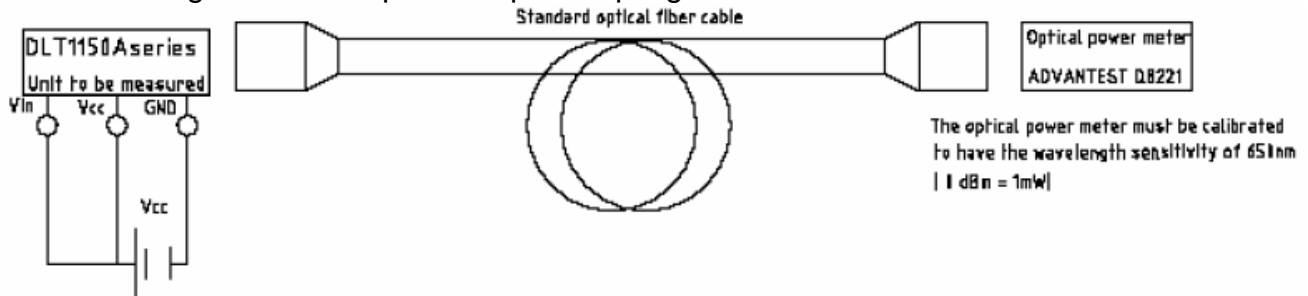
TPHL (propagation H → L delay time): DELAY TIME DIFFERENCE < 20%

Tr (rise time): TIME DIFFERENCE < 20%

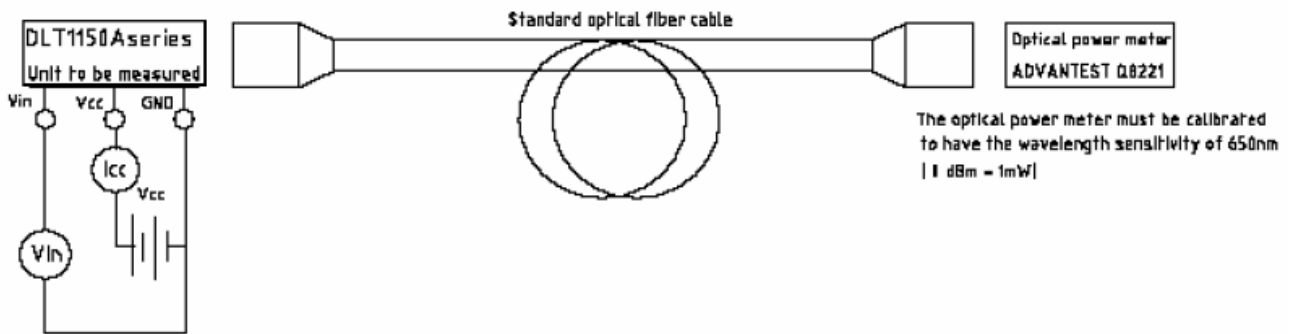
Tf (fall time): TIME DIFFERENCE < 20%

Measuring Method

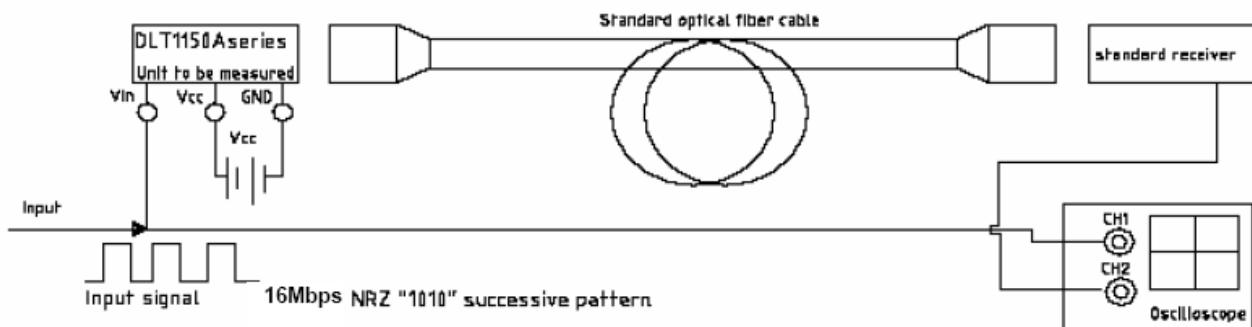
*1 Measuring method of optical output coupling fiber



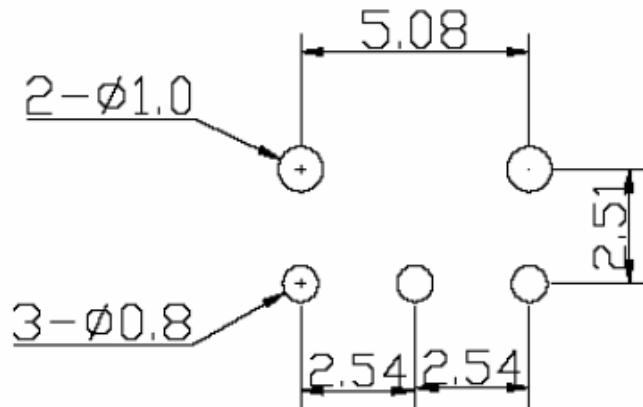
*2 Input voltage/power dissipation measuring method



*3 Pulse response and jitter measuring method



PCB Layout For Electrical Circuit

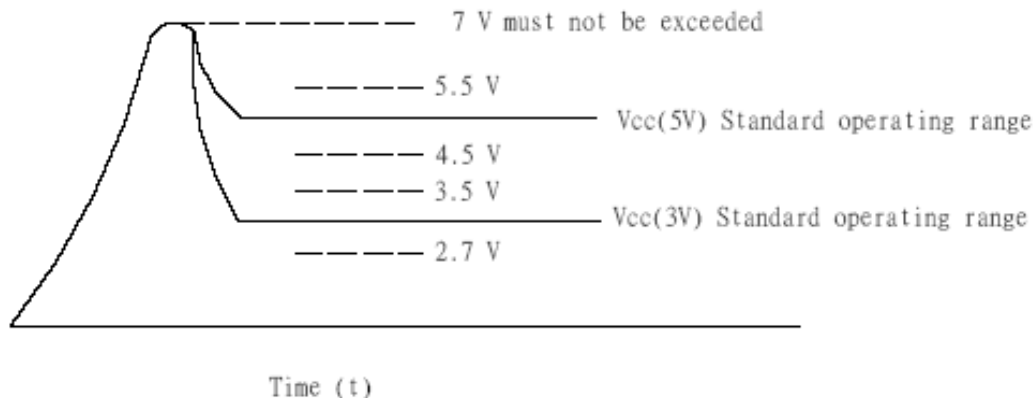


Notes:

1. Unit:mm
2. Unspecified tolerance: $\pm 0.3\text{mm}$
3. Substrate Thickness:1.6mm

Precautions for Using Method

1. Connect a by-pass capacitor (0.1uF) close to the DLT1150A within 7 mm of the unit lead frame.
2. Take proper electrostatic-discharge (ESD) precautions while handling these devices. These devices are sensitive to ESD.
3. Please follow the conditions described in the diagram below.

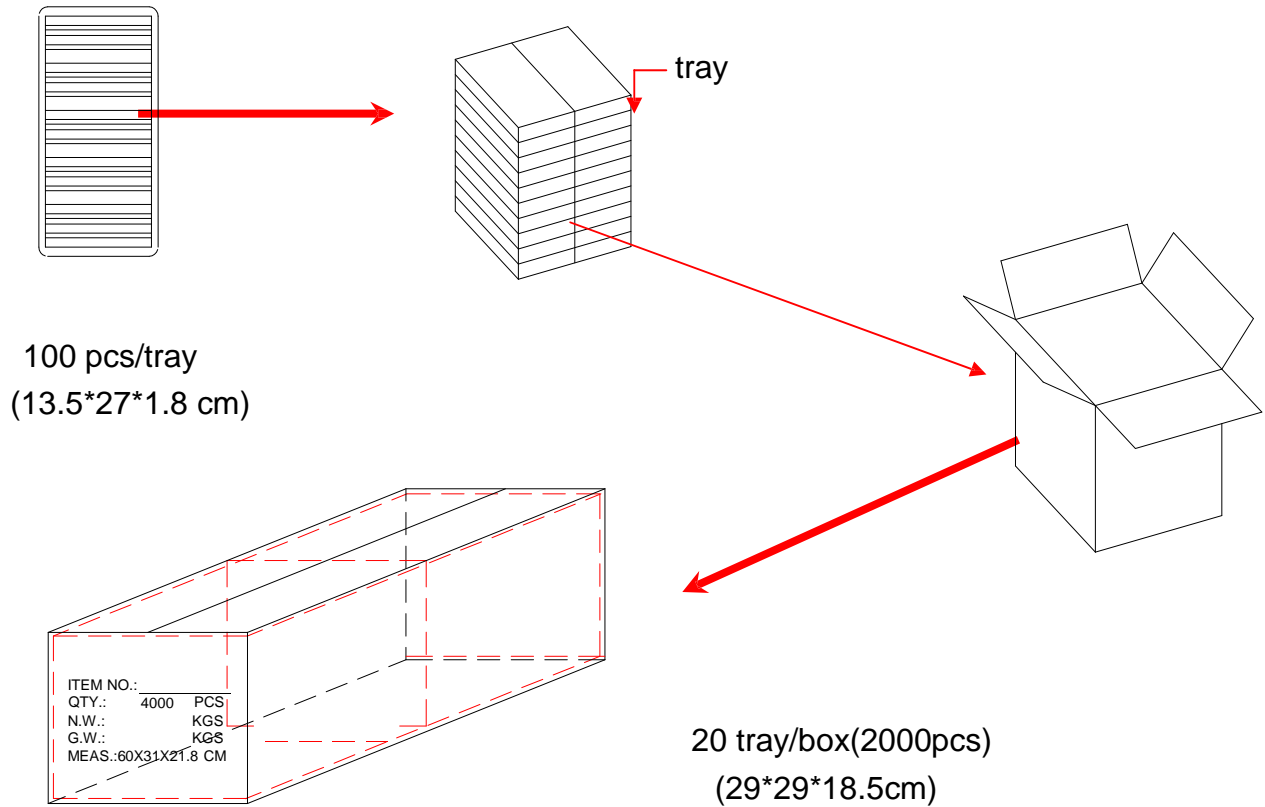


深圳市祥云飞武科技有限公司

Shenzhen City XiangYunFeiWu Technology CO.,LTD

Package

Item	Quantity	Total	Size (long*width*high)
Tray	100	100 pcs	13.5*27*1.8 cm
Inner box	20 tray/box	2000 pcs	29*29*18.5cm
Outer box	2 inner box/outer box	4000 pcs	60*31*21.8 cm



2 inner box/outer box (4000pcs)(60*31*21.8cm)

REV	DESCRIPTION	RELEASE DATE