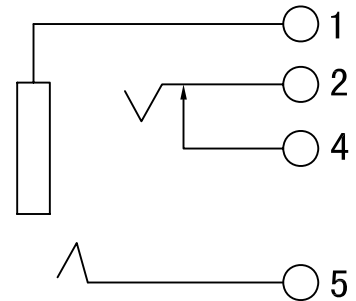


P. C. B TERMINAL POSITION



SCHEMATIC

No				Specifications	PJ-250A-1
1				Rating: DC 30V 1A	TITLE: PHONE JACK
2				Contact Resistance: 30m ohm max	UNLESS OTHERWISE SPECIFIED TOLERANCE ±0.1 ANGLE TOL ±30°
3				Insulation Resistance: 100M ohm at 500V DC	
4				Dielectric Strength: AC 500V for 1 Minute	
5				Insertion & Extraction Force: 0.6-2.0kgf	UNIT: mm SCALE: NA
6				Life: 5.000 Cycles	DRAWN: xing
				Taping: 1.000 Pcs	DATE: 2004-05-23
					CHECKED:
					DATE:
					APPROVED:
					DATE:

XYFW(www.cnxyfw.com)

