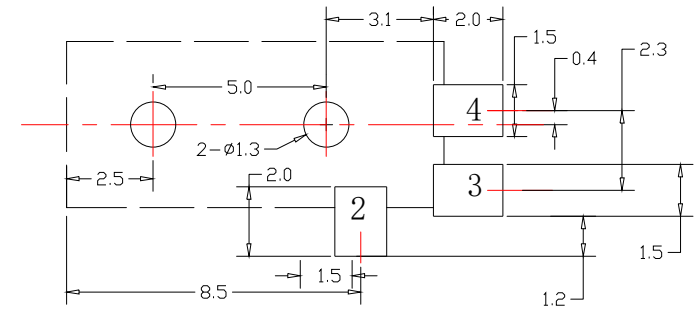
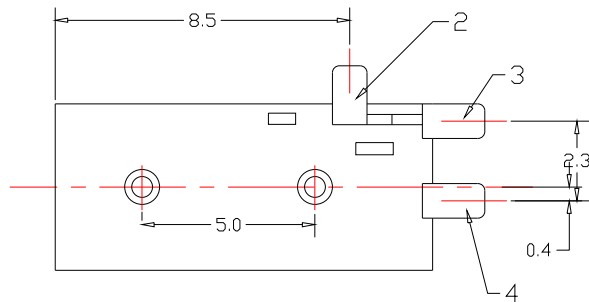
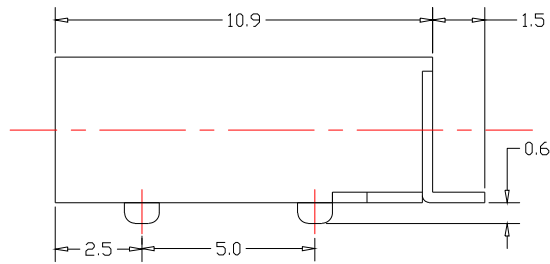


SCHEMATIC



P.C.B LAND

No	DESCRIPTION	QTY	MATERIAL	PLATING	SPECIFICATIONS
1	HOUSING	1	PA46	UL 94-V0	Rating:12V DC 0.5A
2	SPRING	1	Be-Cu	Ag-Plating	Contact resistance: 30 mohms max
3	CURVE PIECE	1	BRASS	Ag-Plating	Insulation resistance: 50 mohms min at 250V DC
4	PIN	1	BRASS	Ag-Plating	Dielectric withstanding voltage: 250V AC/minute
					Insertion Force: 0.6kg max
					Withdrawal Force: 0.3-1.0kg
					Life: 5,000 Cycles

DC-01-SMD

TITLE: DC JACK

UNLESS OTHERWISE
SPECIFIED
TOLERANCE ±0.1
ANGLE TOL ±30"

UNIT: mm SCALE: NA

DRAWN: CHENG

DATE: 2004-04-08

CHECKED:

DATE:

APPROVED:

DATE:

XYFWCN (www.cnxyfw.com)

