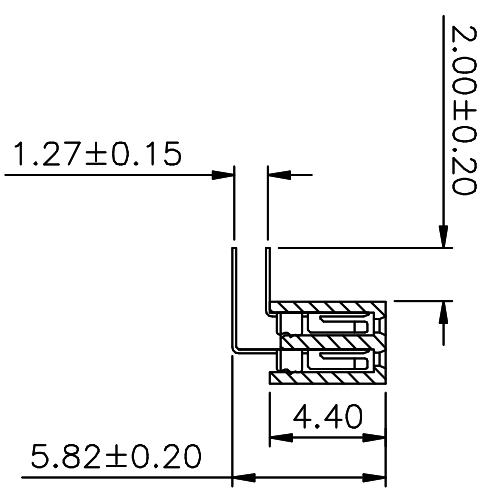


Recommended P.C. Board  
Hole Layout



**Specifications**  
 Current Rating: 1Amp  
 Insulation Resistance: 1000MΩ Min.  
 Dielectric Withstanding: 300V AC  
 Contact Resistance: 20mΩ Max.  
 Operating Temperature: -40°C to +105°C

**Materials**  
 Contact Material: Phosphor Bronze  
 Insulation Material: Polyester, UL 94V-0  
 NYLON-6T

All materials must be GP materials

X: ±0.35 X.X: ±0.25 X.XX: ±0.20 X.XXX: ±0.15		品名规格 FH1.27*4.4 双排 90度	
UNIT: mm		客户品号	
Size: A4	Scale: 1:1	版本	制图
		A/0	林良
		审核	Wang
		核准	
		日期	08-5-19

# XYFWCN

客户