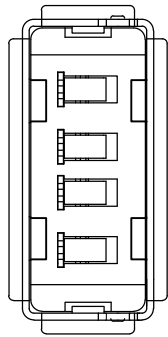
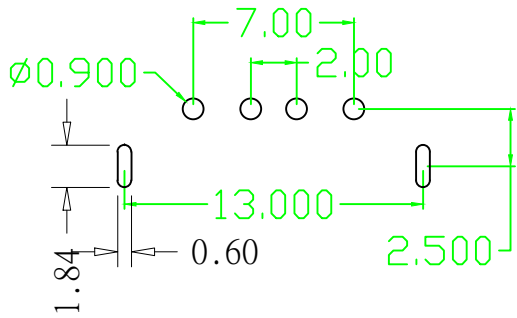


??	?? ?? ??	??	???	??
Mapx	Modification	Date	Draw	Approve



规格说明: Specifications:

1. 额定电流: Current Rating
1.5A/contact terminal
2. 额定电压: Voltage Rating
30V DC
3. 接触阻抗: Contact Resistance
30 milliohms MAX
4. 耐电压: Dielectric Withstanding Voltage:
500 V AC AT Sea Level
5. 绝缘阻抗: Insulation Resistance:
1000MEGA ohms MIN

物理性能: Mechanical:

1. 插拔力: Connector Mate and Unmate Force
Mate force: 3.57kgf(MAX)
Unmate force: 1.02kgf(MIN)
2. 端子保持力: Terminal Retention
1.0kgf(MIN)

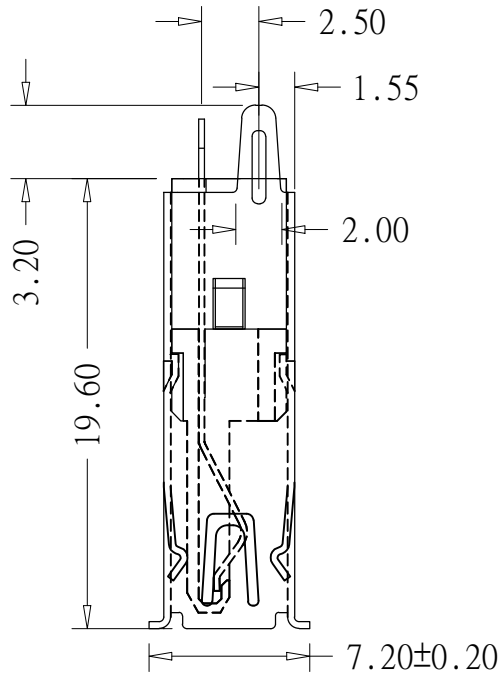
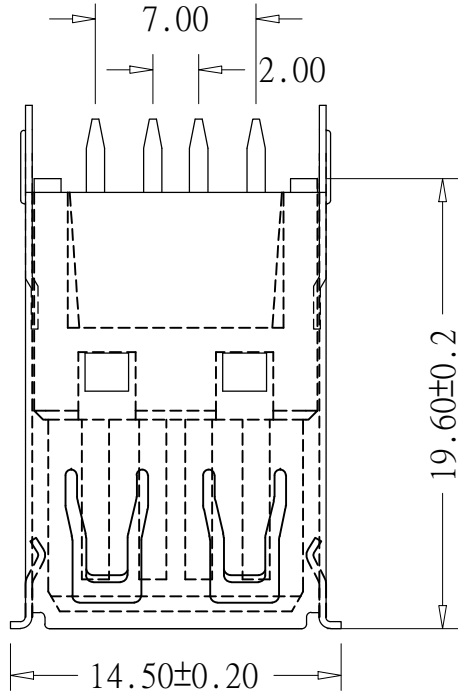
1. 塑胶: Housing:
Hing Temperature Ternmaplastics,
2. 端子: Contact: Copper Alloy C2680
3. 外壳: Shell: Copper Alloy C2680/SPCC

1. 端子: Contact: Plated Gold in Mating Area,
Tin On Solder Talls

端子四周镀50U”(MIN)锡, 镀金区域镀100-200U”镀金1U”

铜壳四周镀80U”(MIN)锡

Nickel Plating



成品图 MANUFACTURE DWG		XYFW							
公差一览表 TOLERANCE UNLESS OTHERWISE									
.X ± 0.15	X. ± 5°	日期 DATE	06.	单位 UNIT	MM	制图 DRAWING	冉世雄	DWG NO.	A母直插19.6卷边直脚
.XX ± 0.05	.X ± 2°	审核 CHECKED		比例 SCALE	1:1	设计 DESIGN		品名 NAME	短体母座
.XXX ± 0.02	.XX ± 1°	核准 APPROVE		角法 VIEW	第三角			版本 VER	A 页数 SHEET PG1

Autodesk

Autodesk

D

E

F