



A

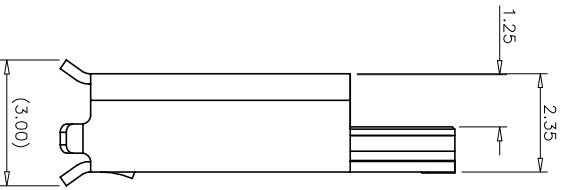
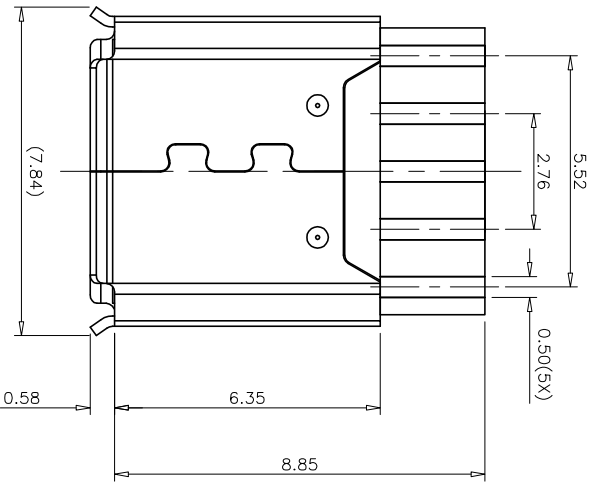
B

由 Autodesk 教育版产品制作

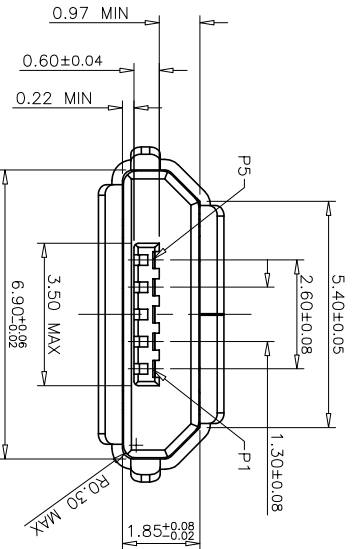
D

E

REV.	ECN NO.	LOCATION	DESCRIPTION	DATE	DESIGN
X1	N/A		INITIAL RELEASE	2011.11.15	



Pin Number	Signal Name
1	VBUS
2	D-
3	D+
4	ID
5	GND



- NOTES:
1. CONTACT CURRENT RATING: 1.0A(SIGNAL PIN2,3,4);1.8A(POWER PIN1,5).
 2. CONTACT RESISTANCE: 40mΩ MAX.;
 3. INSULATION RESISTANCE: 100MΩ MIN.;
 4. DIELECTRIC WITHSTANDING: 100V AC MIN.;
 5. DURABILITY: 10,000CYCLES ;
 6. CONNECTOR MATING FORCES: 35N (3.57Kgf)MAX.;
 7. CONNECTOR UNMATING FORCES: 8N (0.30kgf)MIN.;
 8. PRODUCT MEET THE REQUEST OF THE RoHS, SEE TABLE A:

MATTER	RoHS (PPM)
Cd	≤100
Pb	≤1000
Hg	≤1000
Cr6+	≤1000
PBB	≤1000
PBDE	≤1000

XYFWCN (www.xyfwcn.com)

This document is the property of GETWELL development corporation.

Unless otherwise specified, Tolerance:

- X ±0.30
- X.X ±0.20
- X.XX ±0.15
- X.XXX ±0.10
- ±.5

DESIGN	DATE	TITLE:
CHECKED	2011.11.14	MICRO USB 2.0 B TYPE
APPROVED	DATE	CUSTOMER DRAWING
PART NO.	REV.: X1	SCALE: 1:1
DRAWING NO.	SIZE: A4	SHEET: 1/1

ITEM	PART NAME	Q'TY	MATERIAL	DESCRIPTION	REMARK
01	HOUSING	1 PCS	HIGHT TEMPERATURE PLASTIC	BLACK COLOR	UL94V-0
02	CONTACT A	1 PCS	BRASS 0.20T	AU PLATED	
03	SHELL	1 PCS	STAINLESS STEEL 0.25T	NI PLATED	

5

4

3

2

1

A

B

由 Autodesk 教育版产品制作

D

E