

Recommend P.C.B Layout

ELECTRICAL SPECIFICATIONS @ 25°C unless otherwise noted:

Insertion Loss: 1-100MHZ -1.0dB MAX

Return Loss: 1-30MHZ -16.0dB MIN
 30-60MHZ -14.0dB MIN
 60-80MHZ -10.0dB MIN

Cross Talk: 1-30MHZ -40.0dB MIN
 30-60MHZ -35.0dB MIN
 60-80MHZ -30.0dB MIN

CMR: 1-100MHZ -35.0dB MIN

Hi-Pot: 1500v AC 6S 1mA

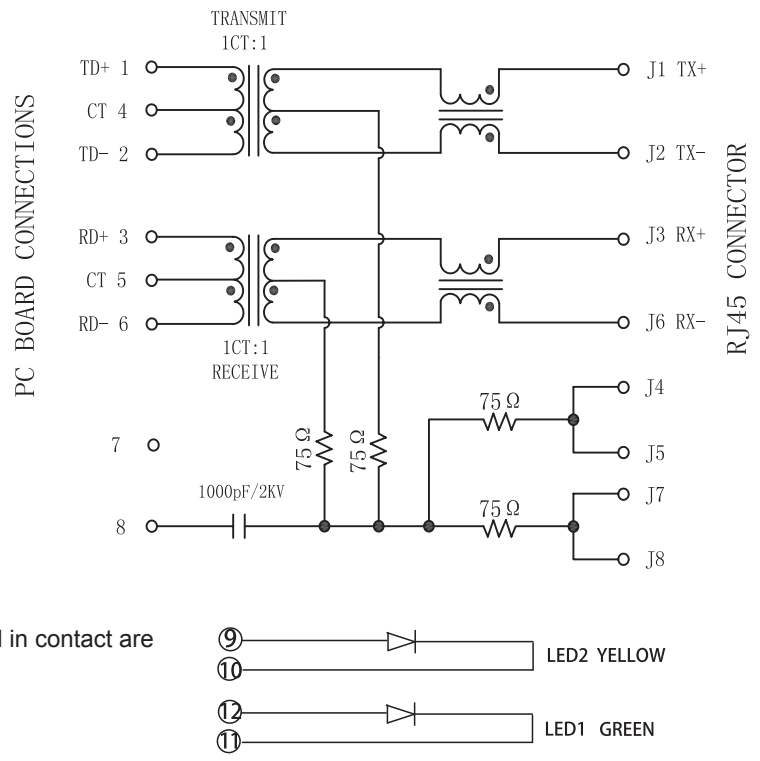
Turn Ratio: 1CT:1CT+/-3%

OCL:350uH MIN @ 100KHZ 100mV 8mA DC

Contacts: 0.35mm thick phos bronze plated with 6u' gold in contact are

Housing Material: PBT Black

Operating temperature range:0°C to +70°C



XYFWCN

Drafted by:JG.CHEN

UNIT:mm
 .xx +/-0.25, .xxx +/-0.13

**10/100BASE
 1X1 Tab-Up RJ45**

Approved By: JP.Gong

Part No:RJ-180CGYNL

www.xyfwn.com

REV.
E

SHEET **1** OF **1**