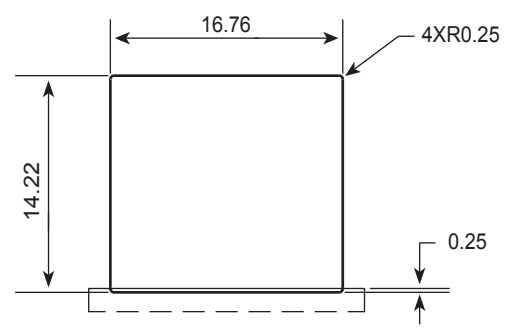


SUGGESTED PCB LAYOUT (TOP VIEW)



TOP PCB TO BOTT OM OF OPENING

ELECTRICAL SPECIFICATIONS @ 25°C unless otherwise noted:

Insertion Loss: 1-100MHZ -1.0dB MAX

Return Loss: 1-30MHZ -16.0dB MIN
 30-60MHZ -14.0dB MIN
 60-80MHZ -10.0dB MIN

Cross Talk: 1-30MHZ -40.0dB MIN
 30-60MHZ -35.0dB MIN
 60-80MHZ -30.0dB MIN

CMR: 1-100MHZ -35.0dB MIN

Hi-Pot: 1500v AC 6S 1mA

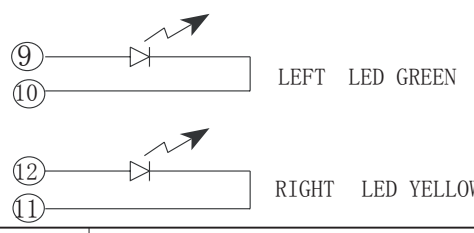
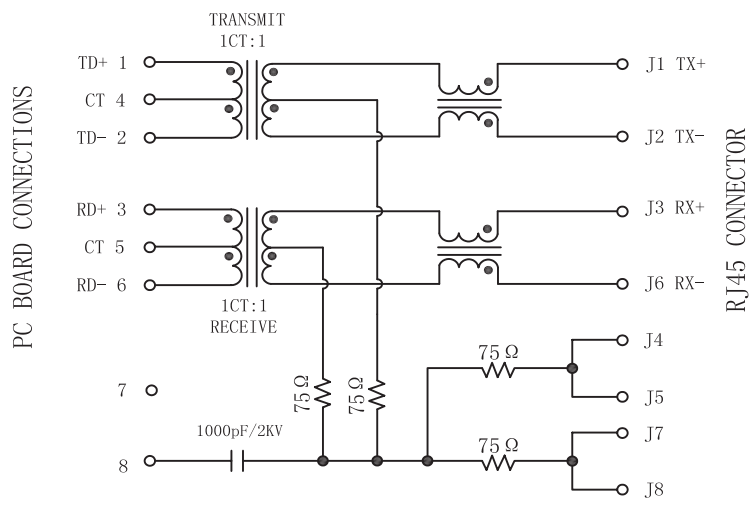
Turn Ratio: 1CT:1CT+/-3%

OCL:350uH MIN @ 100KHZ 100mV 8mA DC

Contacts: 0.35mm thick phos bronze plated with 6u' gold in contact are

Housing Material: PBT Black

Operating temperature range: -40°C to +85°C



XYFWCN

UNIT :mm
 .xx +/-0.25, .xxx +/-0.13

Approved By: JP. Gong

10/100BASE

RJ-138ENL

REV.
 E

Drafted by: JG. CHEN

1X1 Tab-Down RJ45

SHEET 1 OF 1