

项目 Mdxp	变更内容 Modification	日期 Date	修改人 Draw	批准 Approve

规格说明: Specifications:
电气特性: Electrical:

- 额定电流: Current Rating
1.5A/contact terminal
- 额定电压: Voltage Rating
30V DC
- 接触电阻: Contact Resistance
30 milliohms MAX
- 耐压: Dielectric Withstanding Voltage:
500 V AC AT Sea Level
- 绝缘电阻: Insulation Resistance:
1000MEGA ohms MIN

物理性能: Mechanical:

- 插拔力: Connector Mate and Unmate Force
Mate force: 3.57kgf(MAX)
Unmate force: 1.02kgf(MIN)
- 端子保持力: Terminal Retention
1.0kgf(MIN)

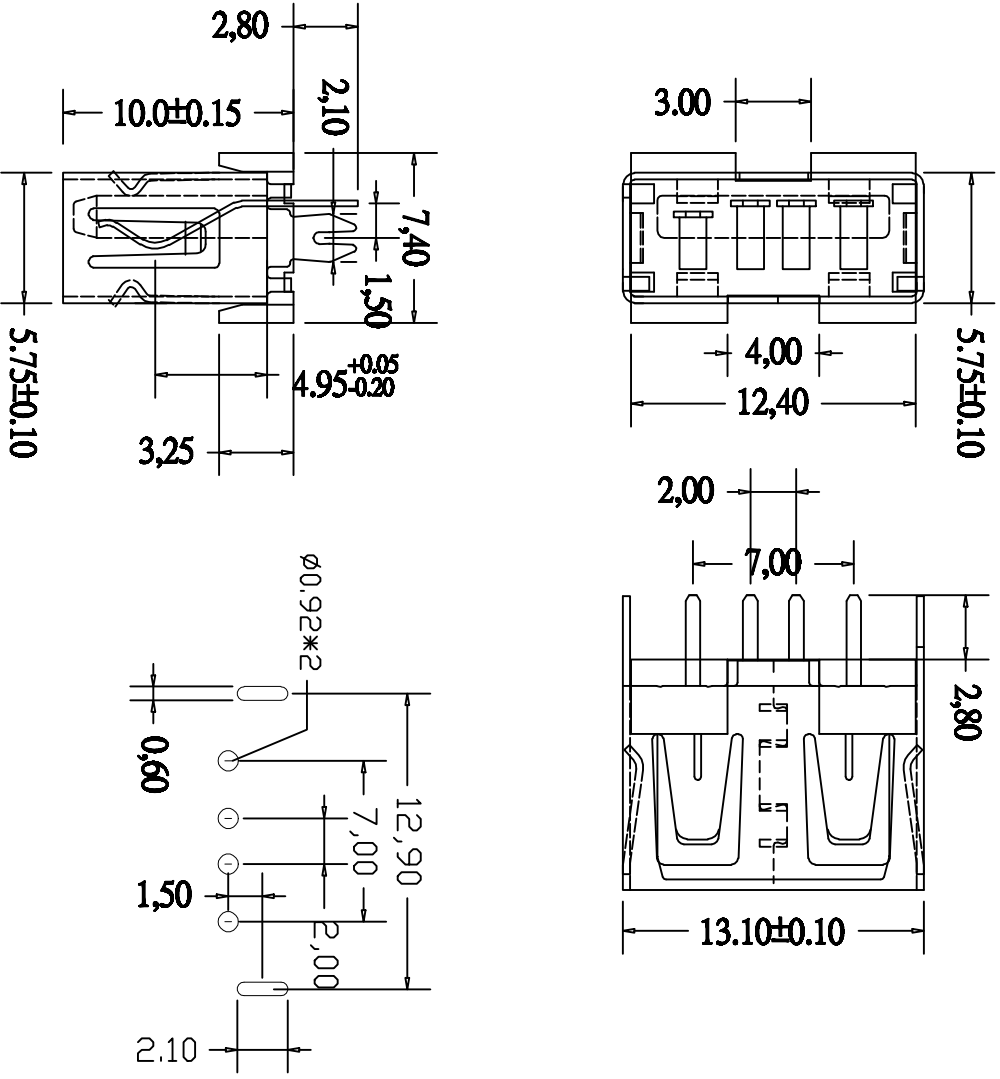
原材料: Material:

- 塑壳: Housing:
Hing Temperature Thermoplastics,
- 端子: Contact: Copper Alloy C2680
- 外壳: Shell: Copper Alloy C2680/SPCC

电镀: Finish:

- 端子: Contact: Plated Gold in Mating Area;
Tin On Solder Talls
- 外壳: Shell:
铜壳四周镀80U”(MIN)镀

Nickel Plating



MANUFACTURE: DWG		产品名称		Shenzhen City Xiangyunfeiwu Technology Co., Ltd.	
公差: 1. 公差		UNIT		MM	
TOLERANCE UNLESS OTHERWISE		DATE		2016.10.20	
X.±0.15		SCALE		1:1	
XX±0.05		DRAWING		LUFU	
XXX±0.02		CHECKED		品名	
APPROVE		DRAW		规格 10.0直插直插插座	
XXX±1"		VIEW		版本	
				A0	
				第 1 页	
				共 1 页	