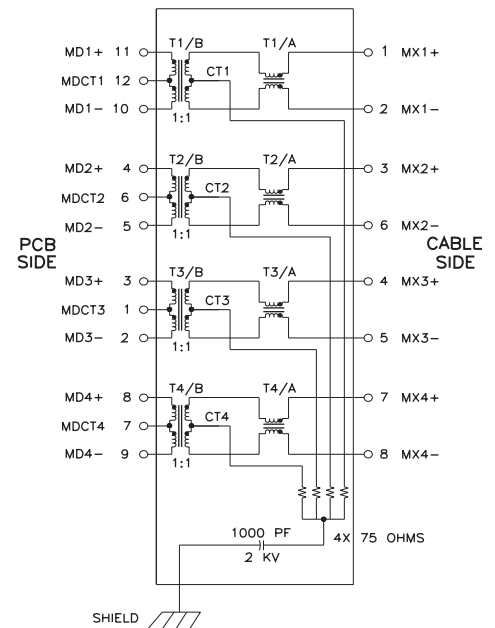
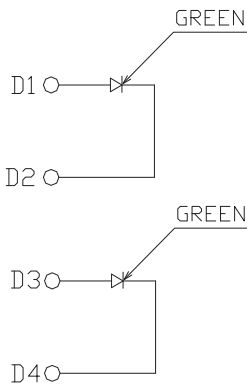


ELECTRICAL SPECIFICATIONS @ 25°C unless otherwise noted:

- Turn Ratio ($\pm 2\%$):
TX=1CT:1CT RX=1CT:1CT
- Inductance OCL:
350uH MIN @100KHz/0.1V, 8mA DC Bias
- Insertion Loss:
-1.0dB MAX @ 1-100MHZ
- Return Loss:
-20dB MIN @ 1-10MHZ
-16dB MIN @ 10-30MHZ
-12dB MIN @ 30-60MHZ
-10dB MIN @ 60-100MHZ
- Cross talk:
-40dB MIN @ 1-30MHZ
-35dB MIN @ 30-60MHZ
-30dB MIN @ 60-100MHZ
- Common Mode Rejection:
-30dB MIN @ 1-50MHZ
-20dB MIN @ 50-150MHZ
- HIPOT TEST: 1500Vrms MIN
- OPERATING TEMPERATURE RANGE: 0°C TO 70°C



Contacts: 0.35mm thick phos bronze plated with 6u' gold in contact area

Operating temperature range: 0°C to +70°C

Housing Material: PBT Black

XYFWCN

Drafted by: CHEN

Unless otherwise specified:
Tolerances: Fractions: $\pm 1/64$
Angles: $\pm 1^\circ$ Decimals: $\pm .005 [.13]$

10/100BASE, Tab-UP RJ45
Single port, shielded with
LEDs

Approved By: JP.GONG

Part No: RJ-339ANL

REV.
A

SHEET 1 OF 1