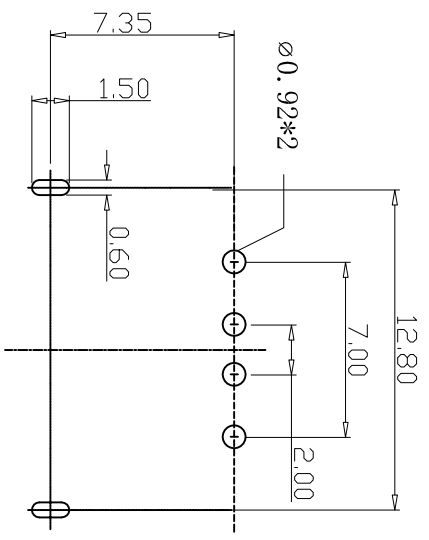
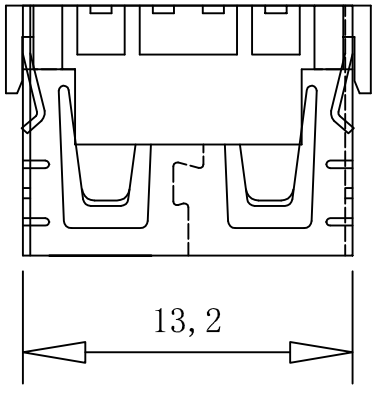
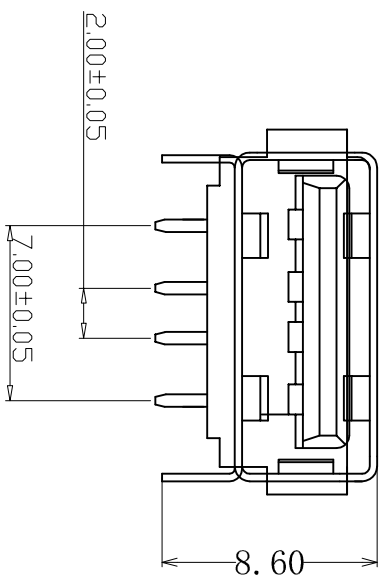
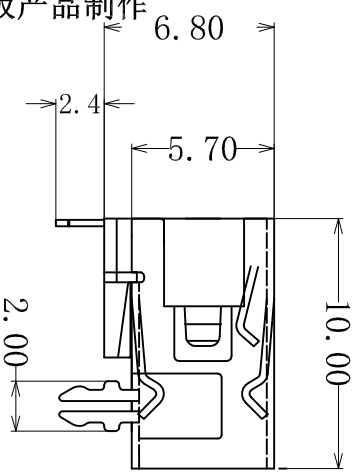


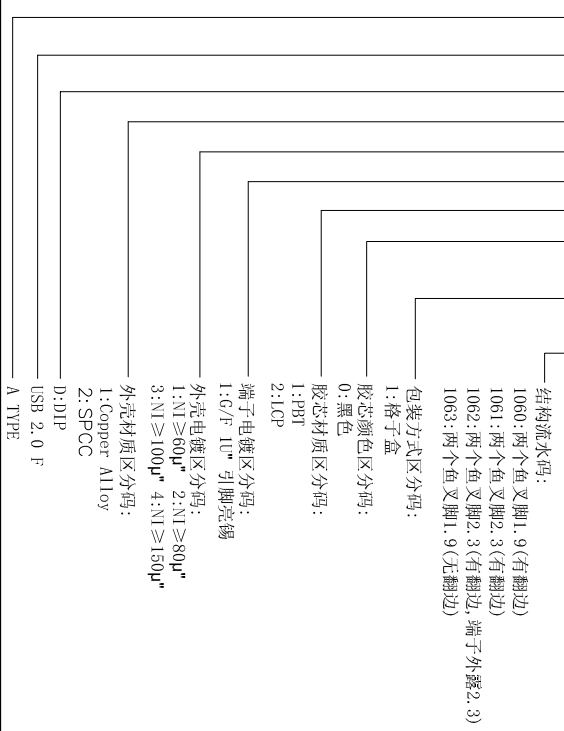
NO.	PART NO.	NAME	MATERIAL	COLOR
1	A02-C40DXX2000	USB A/F 短体10,6两个鱼叉脚, 90°(无翻边)	Copper Alloy/SPCC	1PCS
2	A02-A00DXXXX0	USB A/F 短体10,6胶芯	PBT	1PCS
3	A02-R2DXXXX000	USB A/F 90° DIP短端子(2,3无短跨)	Copper Alloy	4PCS

REV	DESCRIPTION	DATE
LET	试制版	2011.08.26
AX1	重新修订图面	2011.09.09



RECOMMENDED P.C.B LAYOUT

- NOTES:
1. MATERIAL SPECIFICATION
  - 1) INSULATION MATERIAL THERMOPLASTIC.
  - 2) SHELL: COPPER ALLOY/SPCC, T: 0.30mm PLATING: NICKEL
  - 3) TERMINAL: COPPER ALLOY, T: 0.25mm PLATING: GOLD/TIN PLATED.
  2. ELECTRICAL CHARACTERISTIC:
    - 1) INSULATION RESISTANCE: 1000M Ω MIN.
    - 2) CONTACT RESISTANCE: 30m Ω MAX.
    - 3) WITHSTANDING VOLTAGE: 500V AC.
  3. MECHANICAL CHARACTERISTICS:
    - 1) INSERTION FORCE: 3.57kgf MAX.
    - 2) EXTRACTION FORCE: 1.02kgf MIN.
- ORDERING INFORMATION  
A 02-D X X X X X 0 X-1063



XYFWCN (WWW.XYFWCN.COM)

TOLERANCE					
X.	X.X	X.XX	X.XXX	X.	X.°
A	± 0.20	± 0.10	± 0.05	± 0.03	± 1°
B	± 0.50	± 0.20	± 0.10	± 0.05	± 2°
C	± 0.10	± 0.05	± 0.02	± 0.01	± 0.5°

MATERIAL:	UNIT:	THIRD ANGLE	DRAWING BY	Brand/Model:
SUPERFICIES:	SCALE:	REV:	SU	USB A/F 90° DIP短体10,0 2个前鱼叉脚(直边)
XYFWCN	M/M	A	QING	Assembly
1:1	APPROVED	DATE:	LEE	DRAWING NO.
1:1	2011.09.09	2011.09.09	LEE	A 02-DXXXXXX-1063
1:1	USER'S OR TOOLING NO.	2011.09.09	LEE	XL001-1B-1