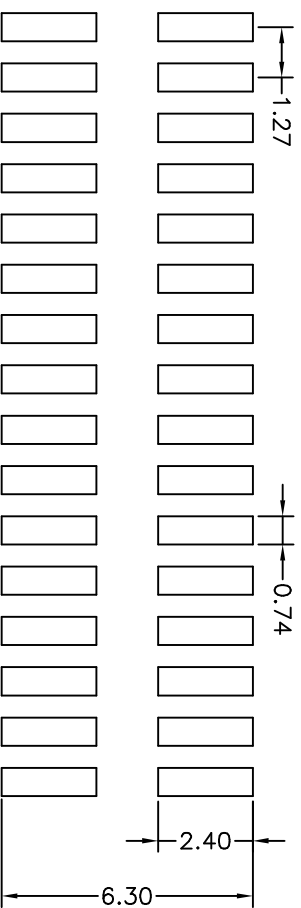
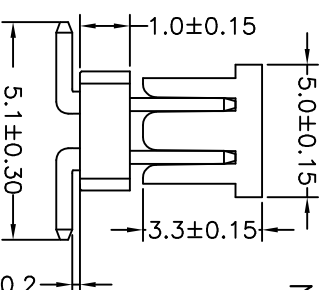
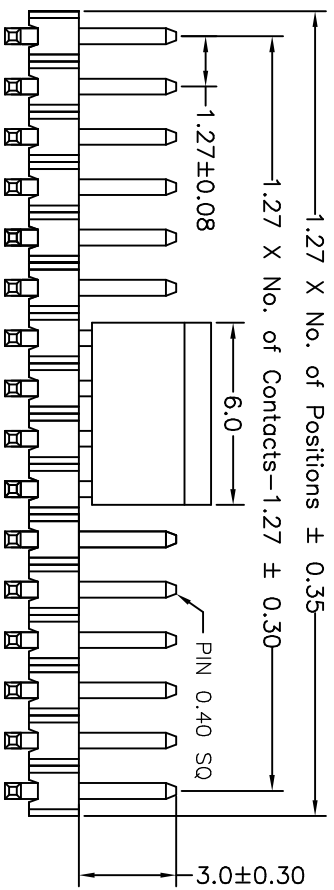
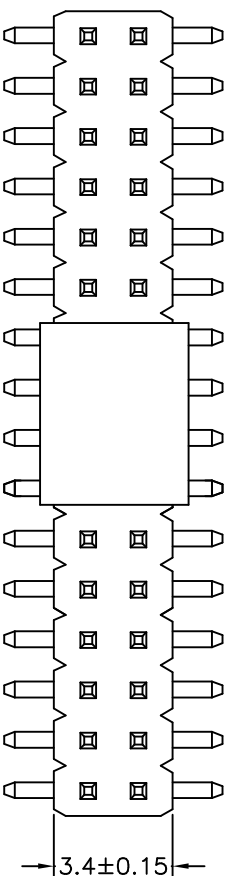


# 1.27mm Pin Header, Dual Row, S.M.T

## SPECIFICATIONS

Current Rating : 1AMP  
 Operation Temperature: -40°C to +105°C  
 Contact Resistance : 20mΩ Max.  
 Insulation Resistance: 1000MΩ Min.  
 Withstanding Voltage : AC 500V  
 Insulator Material : Polyester(UL94V-0)  
 Standard: Nylon-6T

Contact Material : Brass  
 Contact plating : Au or Sn Over 50u"  
 Ni



PCB LAYOUT

客户

# XYFWGN

X: ±0.35 X.X: ±0.25 X.XX: ±0.20 X.XXX: ±0.15	品名规格 PHI. 27*1.0 双排 带CAP L=6.1/5.1(0.2)/3.0 SMT
UNIT: mm	客户品号
Size: A4 Scale: 1:1	版本 A/0
	制图 林良
	审核 Wang
	核准
	日期 08-5-19