

SUGGESTED PCB LAYOUT
(TOP VIEW)

ELECTRICAL SPECIFICATIONS @ 25°C unless otherwise noted:

Insertion Loss: 1-100MHZ -1.0dB MAX

Return Loss: 1-30MHZ -16.0dB MIN
30-60MHZ -14.0dB MIN
60-80MHZ -10.0dB MIN

Cross Talk: 1-30MHZ -40.0dB MIN
30-60MHZ -35.0dB MIN
60-80MHZ -30.0dB MIN

CMR: 1-100MHZ -35.0dB MIN

Hi-Pot: 1500v AC 6S 1mA

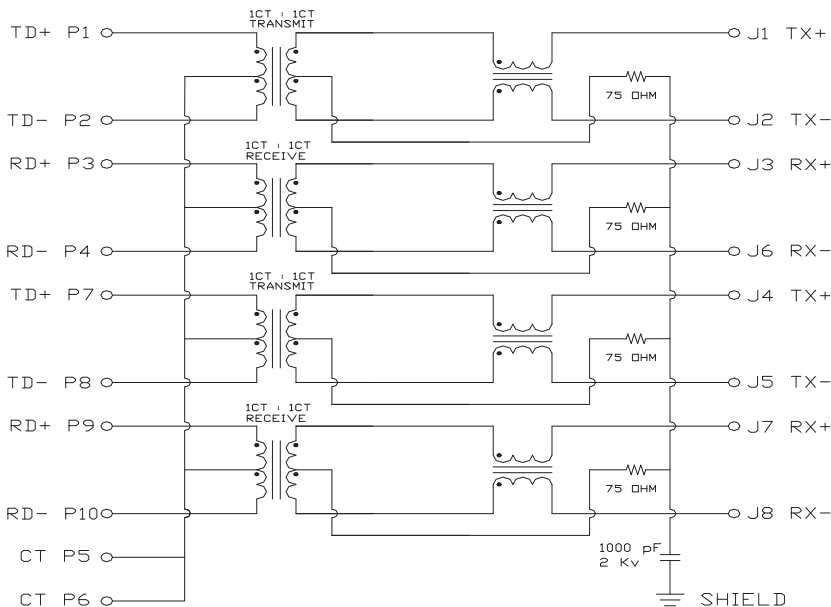
Turn Ratio: 1CT:1CT+/-3%

OCL:350uH MIN @ 100KHZ 100mV 8mA DC

Contacts: 0.35mm thick phos bronze plated with 6u' gold in contact are

Housing Material: NY46Black

Operating temperature range:0°C to +70°C



XYFWCN

Drafted by: JG. CHEN

UNIT :mm
. xx +/-0.25, . xxx +/-0.13

1000BASE
1X1 Tab-Up RJ45

Approved By: JP. Gong

Part No: RJ-SH1001NL	REV. F
www.xyfwn.com	SHEET 1 OF 1