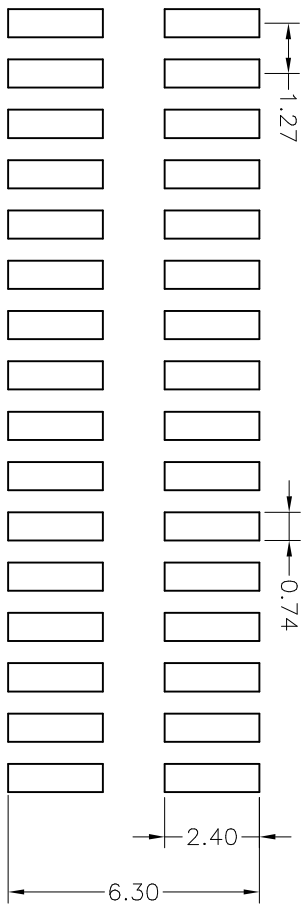
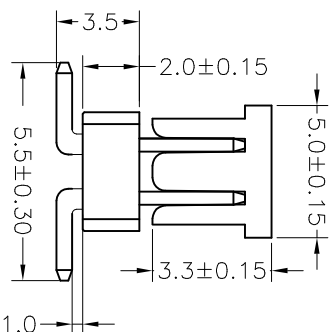
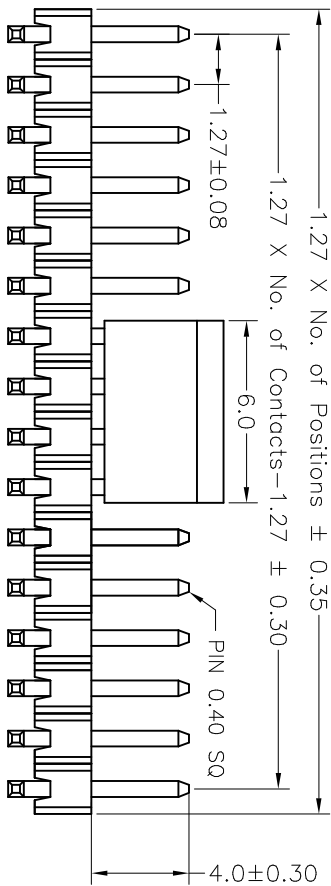
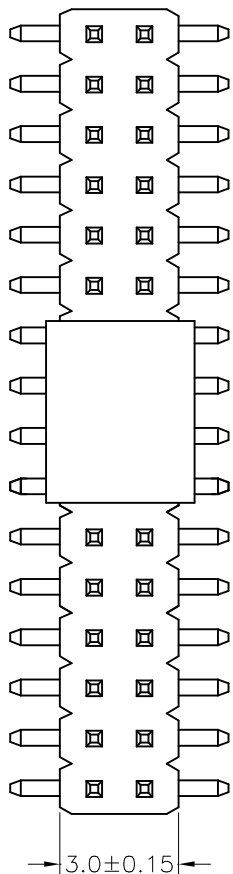


1.27mm Pin Header, Dual Row, S.M.T



PCB LAYOUT

SPECIFICATIONS

- Current Rating : 1AMP
- Operation Temperature: -40°C to +105°C
- Contact Resistance : 20m Ω Max.
- Insulation Resistance: 1000M Ω Min.
- Withstanding Voltage : AC 500V
- Insulator Material : Polyester(UL94V-0)
Standard: Nylon-6
- Contact Material : Brass
- Contact plating : Au or Sn Over 50u Ni

XYFWGN

X: ±0.35	品名规格	PH1.27*2.0 双排 带CAP
X.X: ±0.25	客户品号	L=9.5/5.5(1.0)/5.0 SMT
X.XX: ±0.20		
X.XXX: ±0.15		

Size: A4	UNIT: mm	版本	制图	审核	核准	日期
Scale: 1:1		A/0	林良	Wang		08-5-19

客户