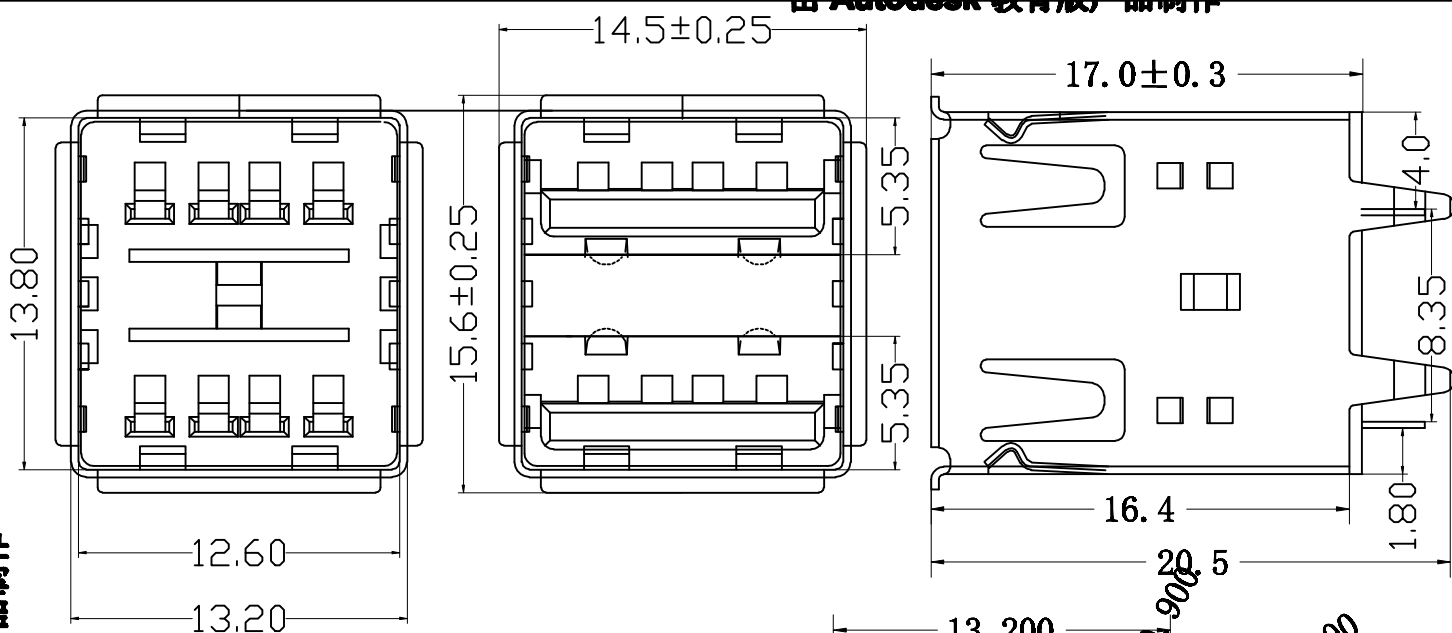


由 Autodesk 教育版产品制作



规格说明: Specifications:

电气特性: Electrical:

1. 额定电流: Current Rating
1.5A/contact terminal
2. 额定电压: Voltage Rating
30V DC
3. 接触阻抗: Contact Resistance
30 milliohms MAX
4. 耐电压: Dielectric Withstanding Voltage:
500 V AC AT Sea Level
5. 绝缘阻抗: Insulation Resistance:
1000MEGA ohms MIN

物理性能: Mechanical:

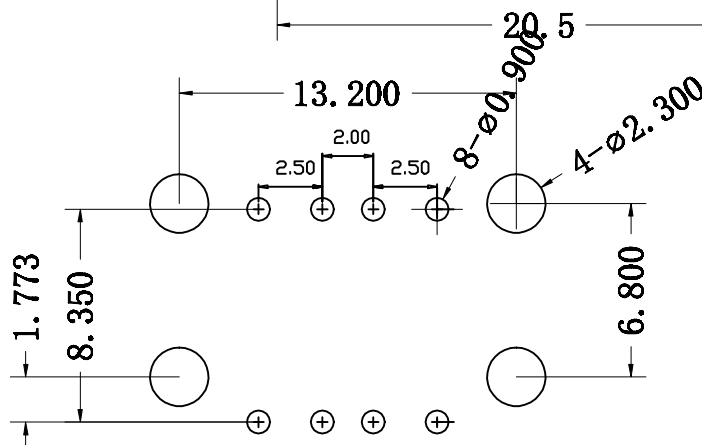
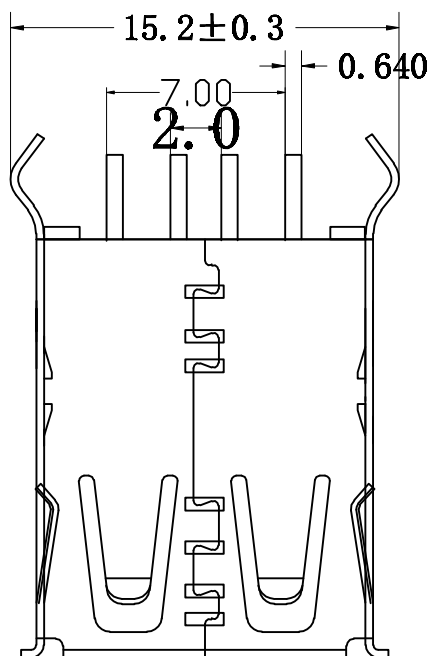
1. 插拔力: Connector Mate and Unmate Force
Mate force: 3.57kgf (MAX)
Unmate force: 1.02kgf (MIN)
2. 端子保持力: Terminal Retention
1.2kgf (MIN)

原材料: Material:

1. 塑胶: Housing:
Hing Temperature Thermoplastics,
PBT White/Black
2. 端子: Contact: Copper Alloy C2680
3. 外壳: Shell: Copper Alloy C2680/SPCC

电镀: Finish:

1. 端子: Contact: Plated Gold in Mating Area;
Tin On Solder Tails
2. 外壳: Shell:
Nickel Plating



RBCOMMENDBD P.C.B PATTBRN LAY OUT

Shenzhen City Xiangyunfeiwu Technology Co., Ltd.

UNLESS OTHERWISE SPECIFIED TOLERANCE		RBCOMMENDBD P.C.B PATTBRN LAY OUT		TITLE	
.X	±0.20	DRAWN		USB AF 双层直插17.0MM弯脚	
.XX	±0.15	H.Q.huocuy		UNIT	MM
.XXX	±0.10	APPROVED		SCALE	3/1
ANG.	±2°	DATE		SIZE	A4
		2011.03.18		PART NO.	
				DOC. NO.	
				REV.	A

由 Autodesk 教育版产品制作

由 Autodesk 教育版产品制作

由 Autodesk 教育版产品制作